

---

# Product Manual

**NAME:** RF LED Dimmer

**MODEL:** TH12 AF1H



## Summarization

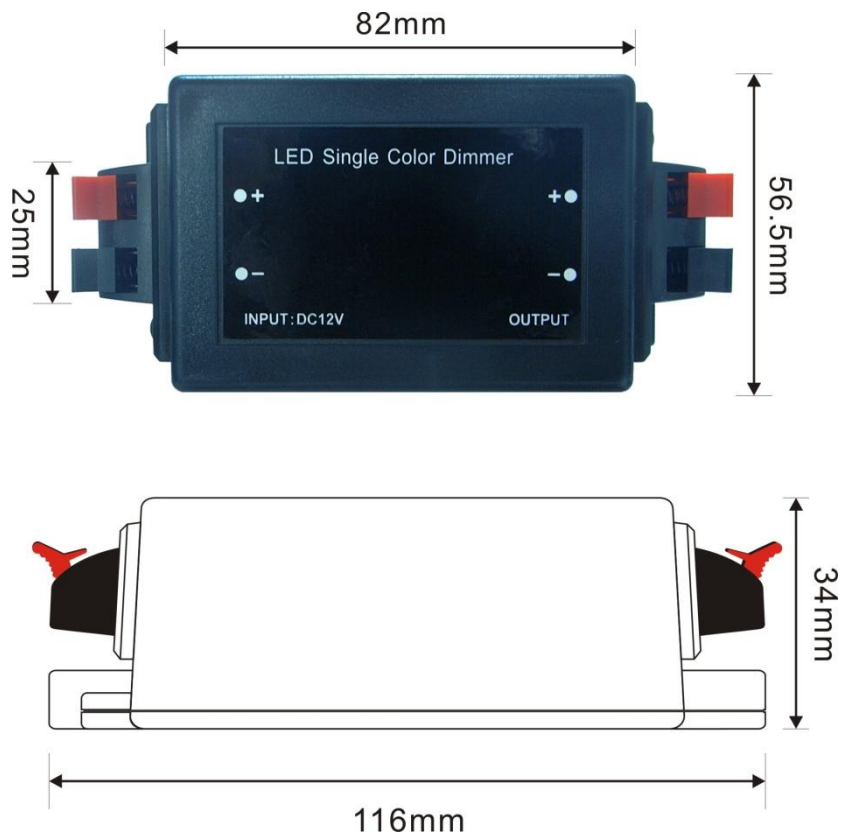
RF dimmer is a controller that can adjust brightness infinitely, its control mode is wireless control, you could adjust light to the appropriate lighting brightness in accordance with your actual need.

## Technical parameters

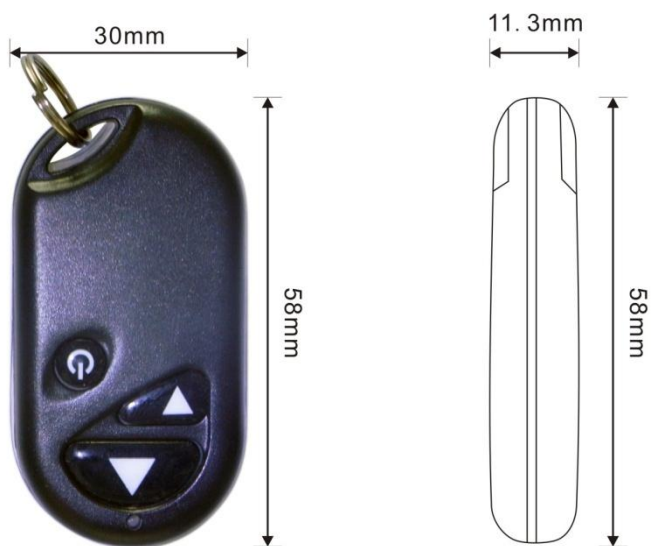
- Working temperature: -20-60 °C
- Supply voltage: DC5V, 12V, 24V <optional> (for orders specify voltage)
- Output: 1 channel
- External dimension: L82X W56.5X H34 mm
- Net weight: 83.5g
- Gross weight: 108g
- Static power consumption: <1 W
- Output current: <8A
- Output power: 5V:<40W, 12V:<96W, 24V:<192W

---

**External Dimension**  
**Dimmer:**

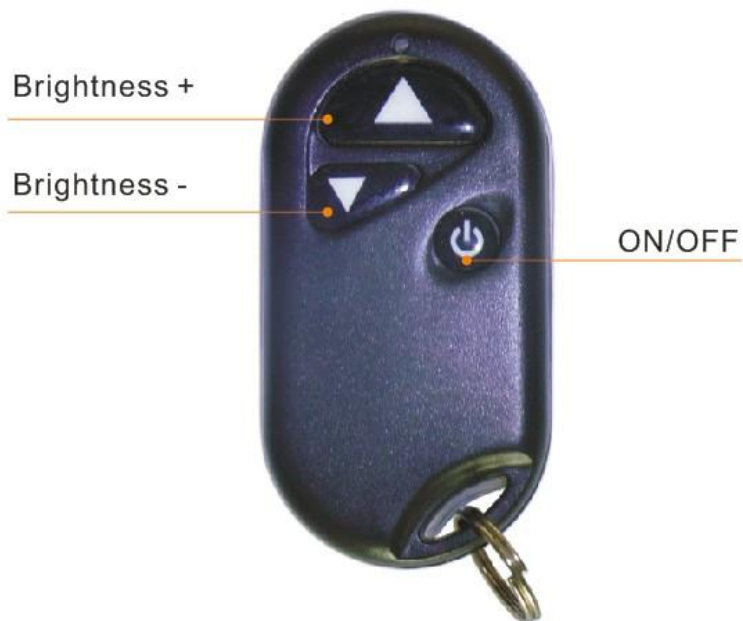


**Remote control:**



---

## Remote control's key instruction:



## Direction for use

Connect the load wire at first, following by the power wire; Please ensure short circuit can't occur between connecting wire before you turn on the power

## Connecting drawing:

